

SL75/SI75 - CONSTANT FLOW REGULATOR

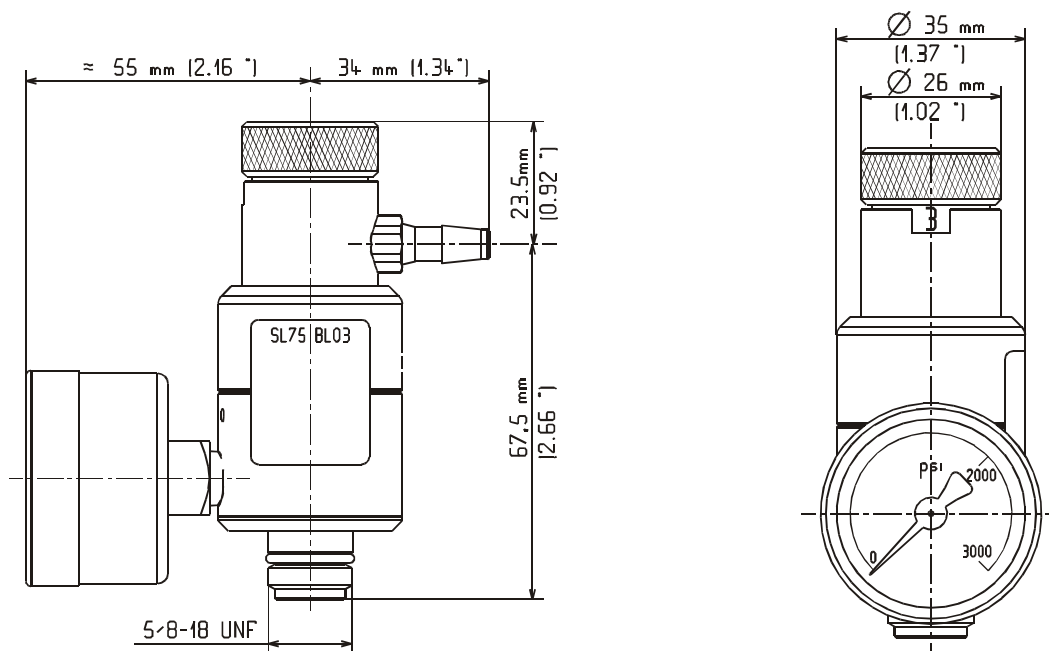


SL75/SI75

This regulator is designed for calibration applications where prescribed pressure and flow are required, and for portable cylinder use.

CALIBRATION REGULATOR

- single stage
- with flow selector
- piston type



Body	Nickel-plated brass or Stainless steel
Valve seal	PCTFE
O-ring	FPM
Piston	Brass (brass version) AISI 316L (SS version)
Weight	± 0,70 kg ± 0.54 lb
Leak rate	10-4 m.bar l/s He
Temperature range	-20°C to +60°C -4F to +140F

Inlet pressure max.	200 bar (2900 psi)
Outlet pressure	3,5 bar (50 psi) (standard) 6 bar (87 psi) (option)
Nominal flow	Preset from 0,3 to 15 l/min
Female ports	C10 or 1/4NPT (inlet) Hose barb or DR6 or 1/4" (outlet)
Gauge	High pressure (1/8NPT)
Stage	Single
Oxygen use	OK with P1=30bar max

KEY FEATURES

- 1 inlet connection
- 1 outlet connection
- Integrated safety relief valve
- Steady flow
- Flow selector

OPTIONS

- 87 psi outlet pressure version
- EPDM O-ring version
- 3 l/min (B03) version

...courbe...

...courbe...

...courbe...