

# MONO SERIES S 20 | COMPACT POINT OF USE

- Bellow single stage
- Purity up to 6.0
- Inlet pressure:  
50 bar (725 psi)
- Outlet pressure:  
1/3/10 bar (14.5/44/145 psi)
- Acetylene version (AD - C<sub>2</sub>H<sub>2</sub>):  
P1 = 20 bar (290 psi)  
P2 = 1,5 bar (21.75 psi)

- ★ Accurate pressure delivery
- ★ Compact design
- ★ 2 inlets / 2 outlets
- ★ Rear inlet for front panel mounting
- ★ O<sub>2</sub> application compatible (see technical data)

Special requirements on request



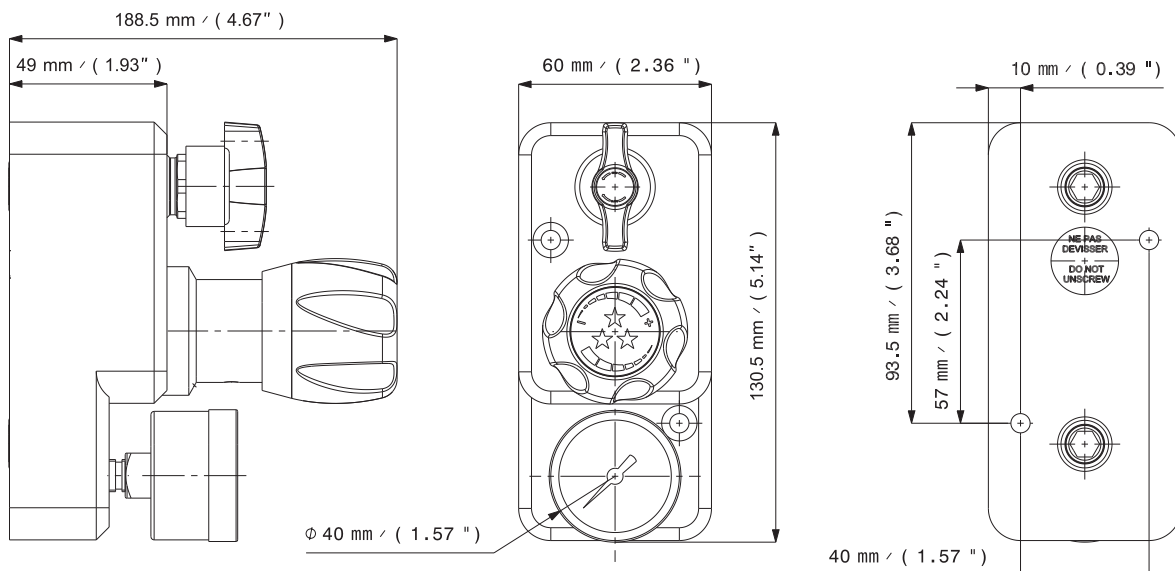
Acetylene version

## APPLICATIONS

- A terminal point of use for specialty gas applications in a laboratory or a workshop.

## KEY FEATURES

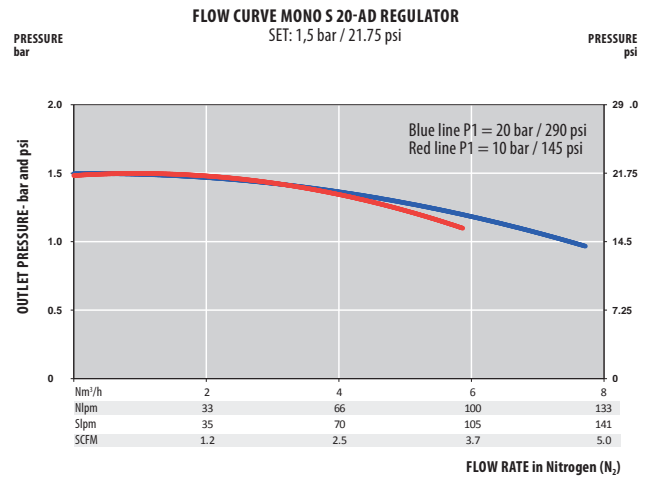
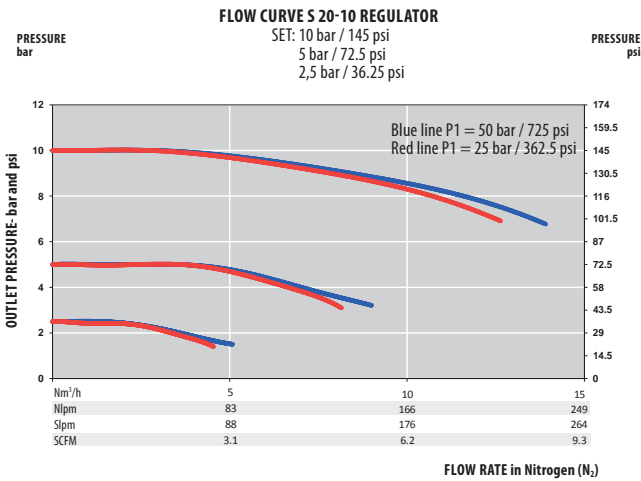
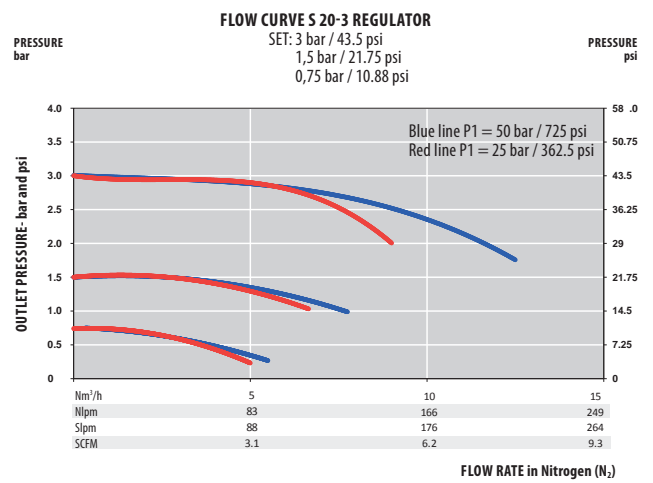
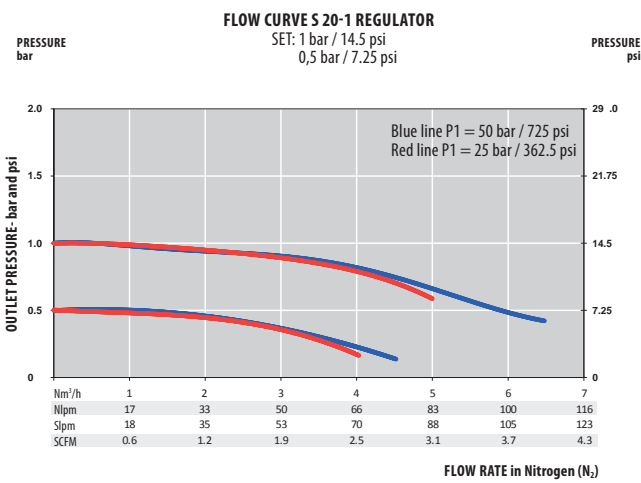
- Made up with a Series S 20 type regulator and a VM 20 valve.
- Compact outline dimensions and ergonomic design make this point of use suitable for laboratory furniture.
- Acetylene version also available.
- For use with acetylene, this product must imperatively be installed with a flash back arrestor complying with standard EN 730 located downstream.
- The Mono S 20 can be integrated easily on furniture due to its compact design



SPECIFICATIONS

<b>Female ports</b>	G 3/8 (inlet/outlet) or 1/4 NPT (inlet/outlet)	<b>Weight</b>	Aluminum: ± 1,25 kg (± 2.75 lbs) Stainless steel: ± 2,75 (± 6.06 lbs)	<b>Inlet pressure</b>	50 bar (725 psi) AD: 20 bar (290 psi)
<b>Seat seal</b>	EPDM	<b>Leak rate</b>	10 <sup>-8</sup> mbar ℓ/s He	<b>Outlet pressure</b>	1/3/10 bar 14.5/44/145 psi AD: 1,5 bar (21.75 psi)
<b>O-ring</b>	EPDM - Standard FPM	<b>Temperature range</b>	-20°C to + 60°C -4°F to + 140°F	<b>Nominal Flow</b>	2/2,5/3,5 Nm <sup>3</sup> /h (N <sub>2</sub> ) AD: 1 Nm <sup>3</sup> /h
<b>Diaphragm (valve)</b>	Hastelloy®	<b>Gauges</b>	Low pressure (M10 x 1)	<b>Oxygen use</b>	inlet pressure ≤ 30 bar max. for aluminum and stainless steel
<b>Bellow</b>	Bronze or AISI 316L (SS version)				

FLOW CURVES



PRODUCT CONFIGURATOR

Body Material		Outlet Pressure	End Connections	O-ring Material	Configuration					
M	S	20	10	G	EPDM	A				
		Aluminum	A	1 bar 14.5 psi	1	G 3/8 - G 3/8	G	EPDM - standard	Standard configuration	A
		Stainless steel	I	3 bar 44 psi	3	1/4 NPT - 1/4 NPT	N	FPM		
				10 bar 145 psi	10					
				Acetylene version 1,5 bar (21.75 psi)	AD					

\*Inlet Down - outlet Top