

SERIES D 230-0.1 | DUAL STAGE HP REGULATOR

- Piston/diaphragm dual stage
- Purity up to 6.0
- Inlet pressure: 200 bar (2900 psi)
- Outlet pressure: 0,01 - 0,1 bar / 0.14 - 1.45 psi

- ★ Compact and lightweight design
- ★ 1 inlet / 2 outlets
- ★ O₂ application compatible (brass only)
- ★ Inlet/outlet pressure gauges
- ★ 1 safety relief valve

Special requirements on request

APPLICATIONS

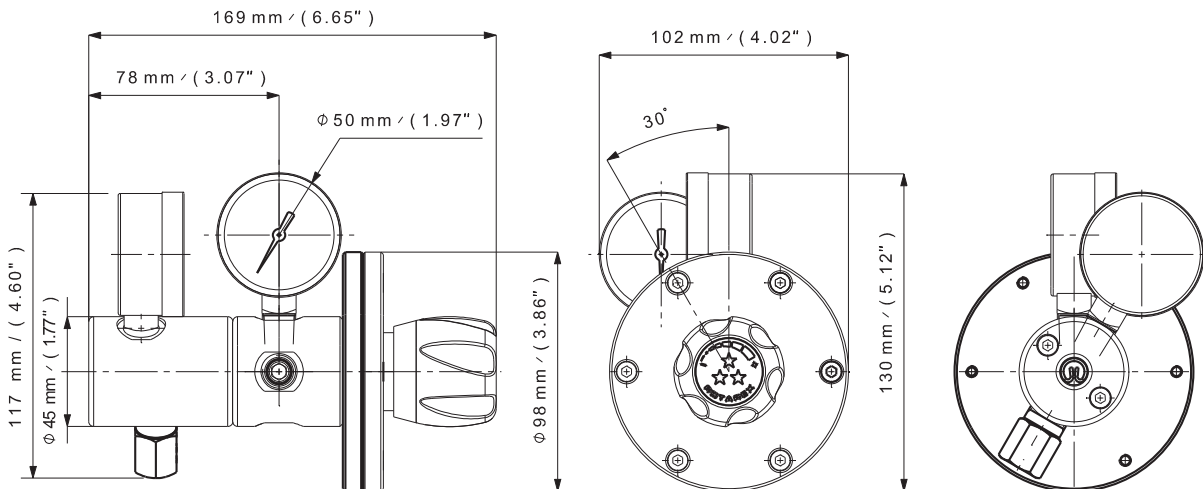
- Designed for cylinder regulator applications.
- Ideally suited for pure, inert and mildly corrosive gas applications requiring a very stable, very sensitive and very low outlet pressure.

KEY FEATURES

- The DL 230-0.1 regulator is based on the SL 20-0.1 proven low pressure regulator.
- Guarantees a stable low flow due to the combination of the piston and diaphragm technologies.
- The rear threads can be used for wall mounting.
- Can also be equipped with a needle or shut off valve at the outlet.



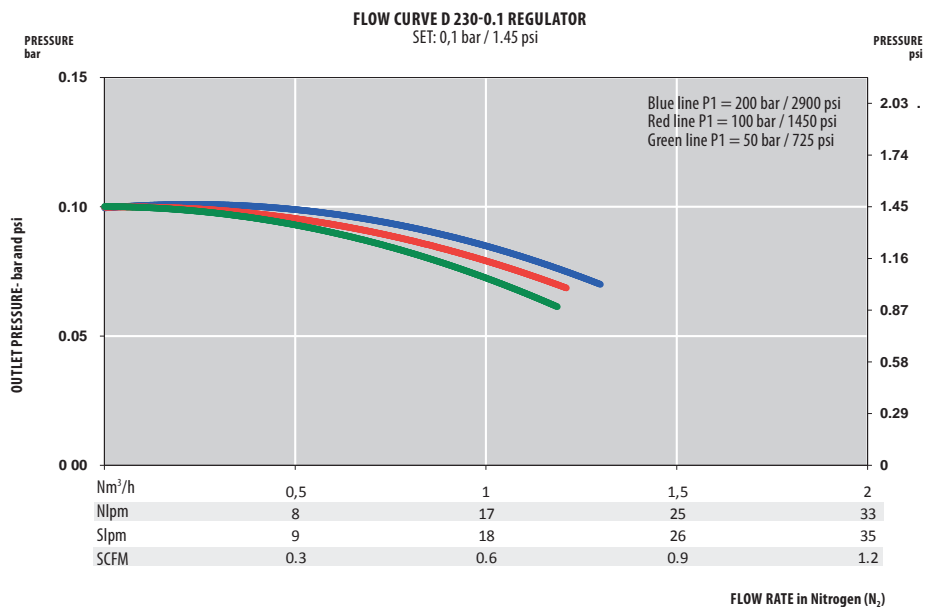
Rear inlet view - with cylinder connector



SPECIFICATIONS

Female ports	16 x 1.336 (inlet) - G 3/8 (outlet) 1/4 NPT (inlet/outlet)	Weight	± 1,5 kg ± 3.3 lbs	Inlet pressure	200 bar 2900 psi
Seat seal	PTFE	Leak rate	10 ⁻⁸ mbar ℓ/s He	Outlet pressure	0,01/0,1 bar 0.14/1.45 psi
O-ring	EPDM - Standard FPM	Temperature range	- 20°C to + 60°C - 4°F to + 140°F	Nominal Flow	0,5 Nm ³ /h (N ₂)
Piston	Brass (Brass version) AISI 316L (SS version)	Gauges	High and low pressure (M10 x 1 or 1/4 NPT)	Oxygen use	Brass only
Diaphragm	AISI 304				

FLOW CURVES



PRODUCT CONFIGURATOR

		Body Material		End Connections		O-ring Material	Gauges	
D	L	230	0.1	N		EPDM	1	
	Chrome plated brass	L		In: 16 x 1.336	16	EPDM - standard	With	1
	Stainless steel	I		Out: G 3/8	N	FPM		
				NPT 1/4 (inlet/outlet)				